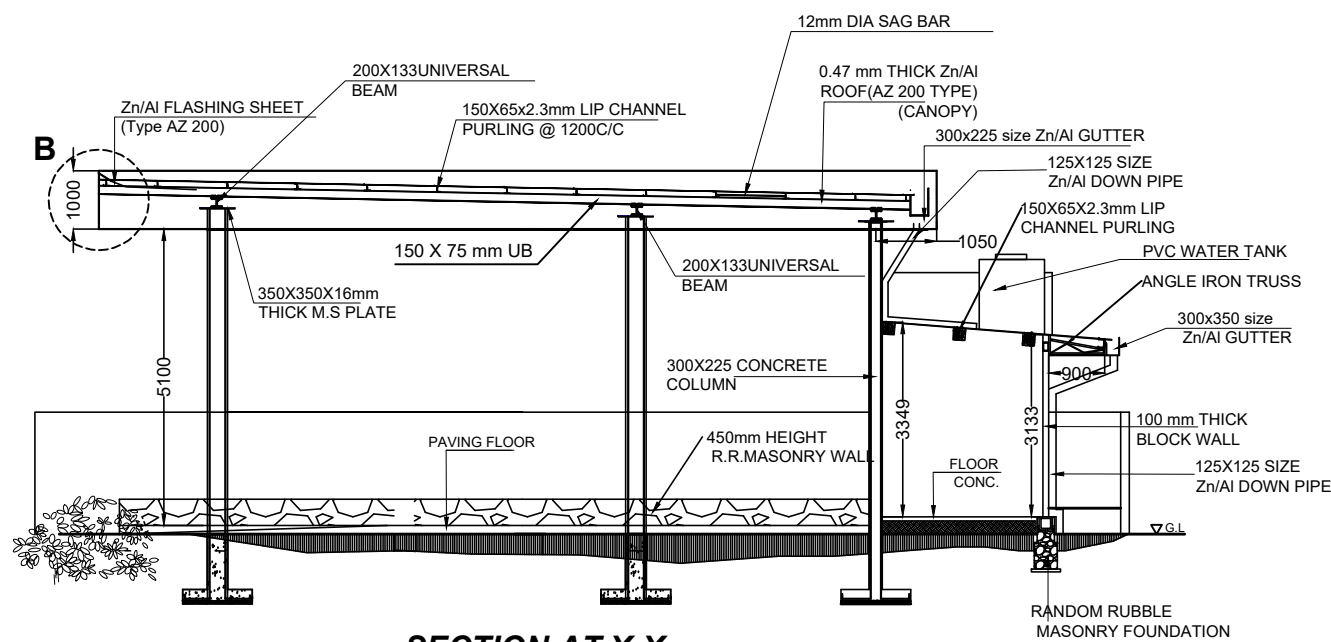


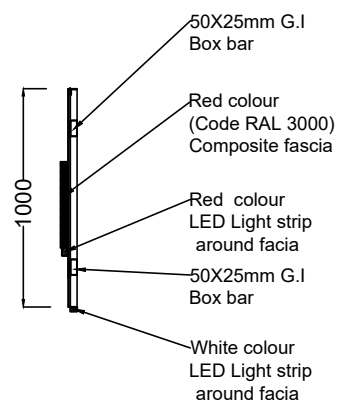
SIDE ELEVATION From -A

SCALE : 1:100

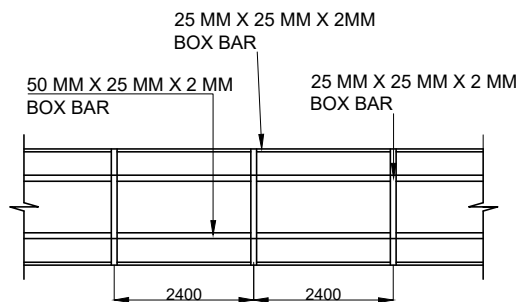


SECTION AT X-X

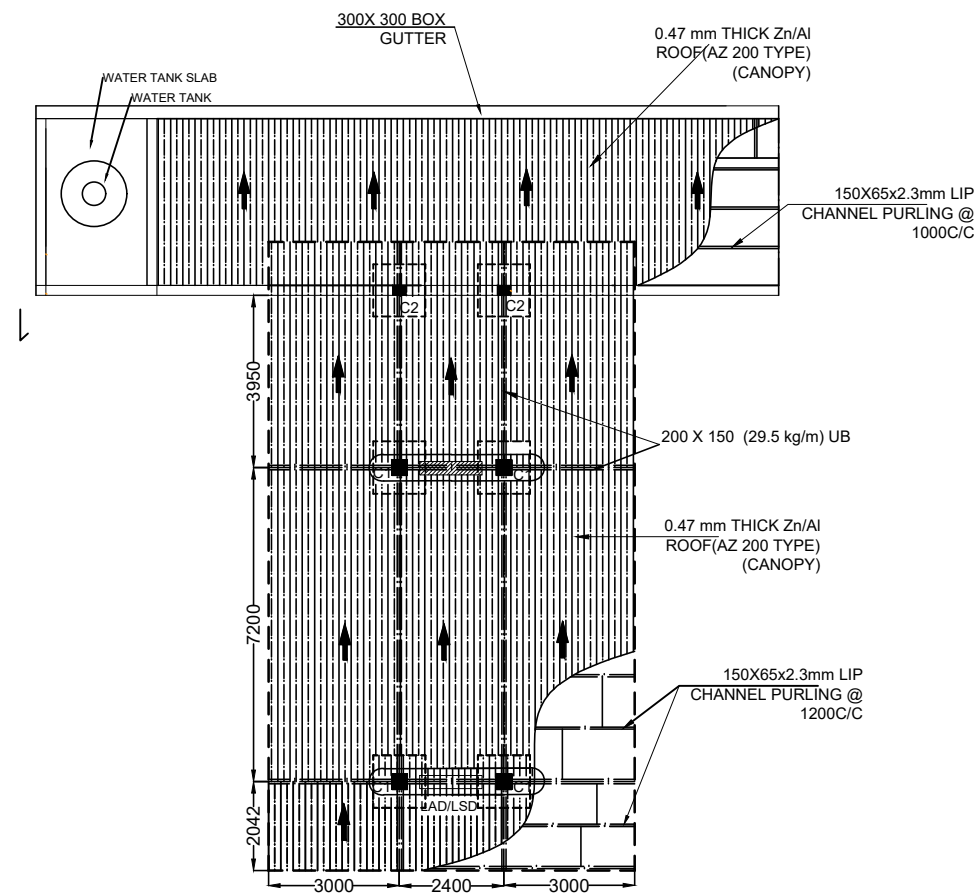
SCALE : 1:100




DETAIL AT -B -



DETAIL OF FASCIA



ROOF PLAN VIEW

PROJECT :		MODIFICATION OF L.F.S.MALLAKAM	
TITLE:			
 CEYLON PETROLEUM CORPORATION ENGINEERING DEPARTMENT NO. 609, DR. DANISTER DE SILVA MAWATHA, DEMATAGODA, COLOMBO -09, TP. NO. 5661717, 5661818 FAX 5455408	Designed	R.S	
	Drawn	C.P	PRABATH
	Checked	R.S	
	Approved	G.P.K.Wijekoon Manager (E&P)	
	Scale	AS.SHOWN	Date:
Rev.No	Drawing No:		CEYPET/ENG/ 0605
			Sheet: 03 of 02